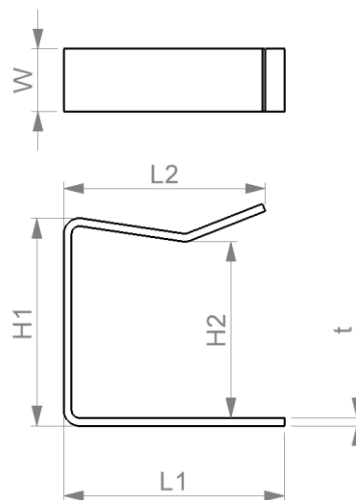


Datasheet Verge Clip 1808A

BS 5534:2014 +A2:2018
EN 485-1:2016



Material:	EN AW-1050A (Al 99,5%)
Thickness (t):	1.2mm
Width (W)	9.5mm
Length (L):	L1=33.5mm / L2=30.5mm
Height (H):	H1=31.5mm / H2=26.8mm
Packaging:	<ul style="list-style-type: none"> • 100 pieces per unit • 1000 pieces per unit • In cardboard boxes
	These items can be custom-made to your specifications. Please contact us per email with (technical) drawing entirely without obligation.